

Futronic FS30

Remote Relay Unit



Description

The FS30 RRU is a very useful accessory for customers who need higher security when using the Futronic Fingerprint FS21M Access Control System.

The FS30 can be put somewhere inside the facility. When access to this facility is granted to someone using a FS2x which is installed outside the facility, instead of FS2x controlling the electric door lock to open the door, a signal is sent from the FS2x to the FS30 which will then open the door. This eliminates the possibility of manipulating the connection between FS2x and electric door lock to make unauthorized access to a secured facility.

All functions of the FS30 are controlled from FS2x. Once it is connected to FS2x, it can be set up for use in 5 minutes.

Apart from enhanced security, FS30 also expands the function of the overall Access Control system. There are two Alarm/Sensor inputs on it which can be set to Normal Close(NC) and Normal Open(NO) independently for connecting to various sensors around the access point, such as door sensor, intruder sensor, etc. Either sensor is triggered, the siren of FS30 will be activated which can only be de-activated by system administrator through FS2x. There are also Wiegand IN and OUT for interfacing with other access control devices.



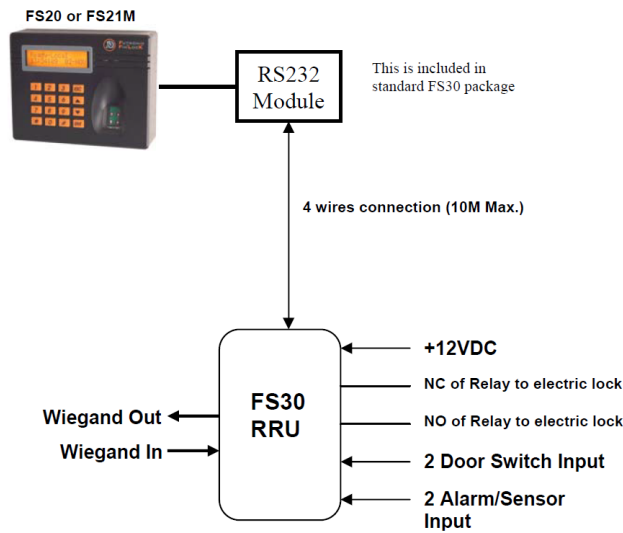
Features and Benefits

- One Relay Channel with COM/NC/NO for electric door lock control
- Two Alarm/Sensor inputs that can be set to NC or NO independently.
- One siren with 3 level volume controls which will be activated by event on two Alarm/Sensor inputs.
- Up a max of 60 second delay can be set for siren activation.
- Two Door Switch Inputs
- One Wiegand Output and One Wiegand Input
- 1 RS232 module and one 10M cable(for RS232 module to FS30) are included.

Technical Specifications

Physical	Size of RRU: 1160mm(W) x 36mm(H) x 67mm(D) Size of RS232 module: 20mm x 20mm x 17mm Enclosure: ABS
Electrical	Supply voltage:12VDC Siren output:1 Watt Fingerprint
General	One red/green bi-colour LED for status indication Standard Wiegand signal interface 115200bps RS232 communication between FS2xand FS30 Maximum connection distance between FS2x andFS30 is 10 meter Operating temperature : -10 to +55 degree C

Connection Diagram



Connection Diagram of FS30 RRU to FS20 or FS21M

Complimentary Products	Futronic FS21M Fingerprint Access Control System with Mifare
------------------------	--

Fulcrum Biometrics Southern Africa

Block A, Regent Hill Office Park,
Corner Leslie & Turley Roads,
Lonehill, 2062, Johannesburg,
Gauteng, South Africa
Office: +27-11 702-8550

email: sales@fulcrumbiometrics.co.za



www.fulcrumbiometrics.co.za