

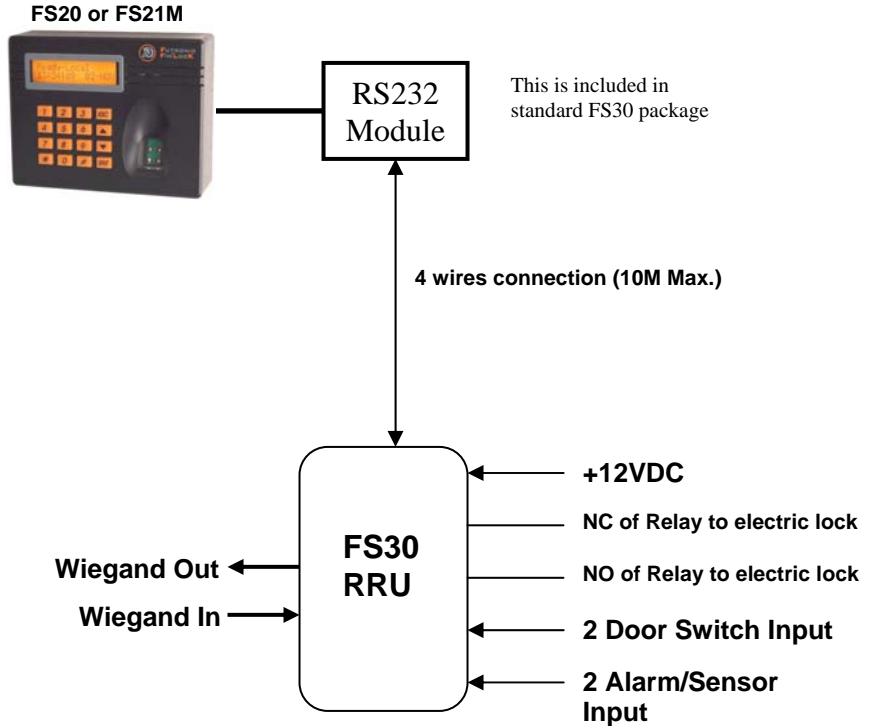


Features

- One Relay Channel with COM/NC/NO for electric door lock control
- Two Alarm/Sensor inputs that can be set to NC or NO independently.
- One siren with 3 level volume controls which will be activated by event on two Alarm/Sensor inputs. Up a max of 60 second delay can be set for siren activation.
- Two Door Switch Inputs
- One Wiegand Out and One Wiegand In
- 1 RS232 module and one 10M cable(for RS232 module to FS30) are included.

Specification

- Supply voltage:12VDC
- Siren output:1 Watt
- One red/green bi-colour LED for status indication
- Standard Wiegand signal interface
- 115200bps RS232 communication between FS2x and FS30
- Maximum connection distance between FS2x and FS30 is 10 meter
- Operating temperature : -10 to +55 degree C
- Size of RRU: 1160mm(W) x 36mm(H) x 67mm(D)
- Size of RS232 module: 20mm x 20mm x 17mm
- Enclosure: ABS



Connection Diagram of FS30 RRU to FS20 or FS21M

FS30 RRU is a very useful accessory for customers who need higher security when using Futronic Fingerprint Access Control System FS2x series(FS20, FS21M/FS22).

The FS30 can be put somewhere inside the facility. When access to this facility is granted to someone by FS2x which is installed outside the facility, instead of FS2x controls the electric door lock to open the door, a signal is sent from FS2x to FS30 which will then open the door. This eliminates the possibility of manipulating the connection between FS2x and electric door lock to make unauthorized access to a secured facility.

All function of FS30 is controlled from FS2x. Once it is connected to FS2x, it can be set up for use in 5 minutes.

Apart from enhanced security, FS30 also expands the function of the overall Access Control system. There are two Alarm/Sensor inputs on it which can be set to Normal Close(NC) and Normal Open(NO) independently for connecting to various sensors around the access point, such as door sensor, intruder sensor, etc. Either sensor is triggered, the siren of FS30 will be activated which can only be de-activated by system administrator through FS2x. There are also Wiegand IN and OUT for interfacing with other access control devices.



FS30



FS30



RS232
Module

Fulcrum Biometrics Southern Africa

Block A, Regent Hill Office Park,
Corner Leslie & Turley Roads,
Lonehill, 2191, Sandton,
Gauteng, South Africa
+27 (0)11 702 8550
sales@fulcrumbiometrics.co.za
www.fulcrumbiometrics.co.za

